

Applications: used in household appliances like air conditioners.

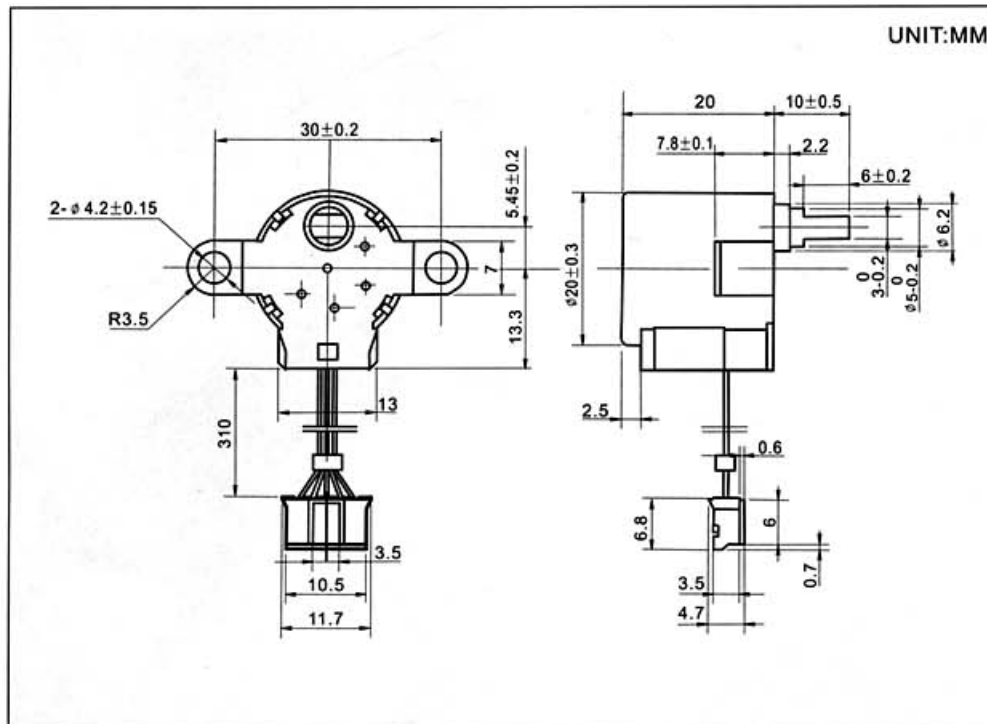


Operating environment: -15~+45°C ; 15~90%RH

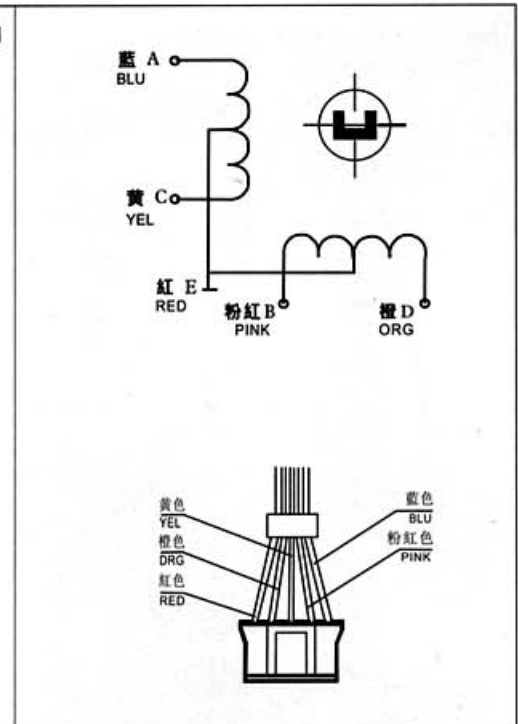
Characteristics

MODEL	No.of phase	Voltage	Resistance	Step Angle	Moderating Ratio	No-load Pull-in Frequency	No-load Pull-out Frequency	Detent Torque	Pull-in Torque	Load Pull-in Frequency	Load Pull-out Frequency	Excitation Mode	Noise	Weight
		V	$\Omega$	Deg		pps	pps	g.cm	g.cm	pps	pps		dB(A)	g
2020BYJ	4	12	210	7.5/85.25	1/85.25	750	1000	250	100	700	900	1-2	34	32

Outline Drawing



Wiring Drawing



一、產品用途：用于打印機、打字機和傳真機等辦公自動化設備

Applications: used in office automation facilities like  
printers, type-writers and fax machines.

二、使用環境：-15~+45℃；15~90%RH

Operating environment: -15~+45℃；15~90%RH



三、主要技術指標(Characteristics):

型號	相數	電壓	直流電阻	步距角	電流	空載牽入頻率	空載牽出頻率	自定轉距	牽入轉距	負載牽入頻率	運行方式	噪聲	重量
MODEL	No.of phase	Voltage	Resistance	Step Angle	Current	No-load Pull-in Frequency	No-load Pull-out Frequency	Detent Torque	Pull-in Torque	Load Pull-in Frequency	Excitation Mode	Noise	Weight
		V	Ω	Deg	A	pps	pps	g.cm	g.cm	pps		dB(A)	g
5525BY-300	4	12	36	7.5°	0.32	350	360	150	240	160	1-2	34	32

四、外觀圖(Outline Drawing):

五、接綫圖(Wiring Drawing):

